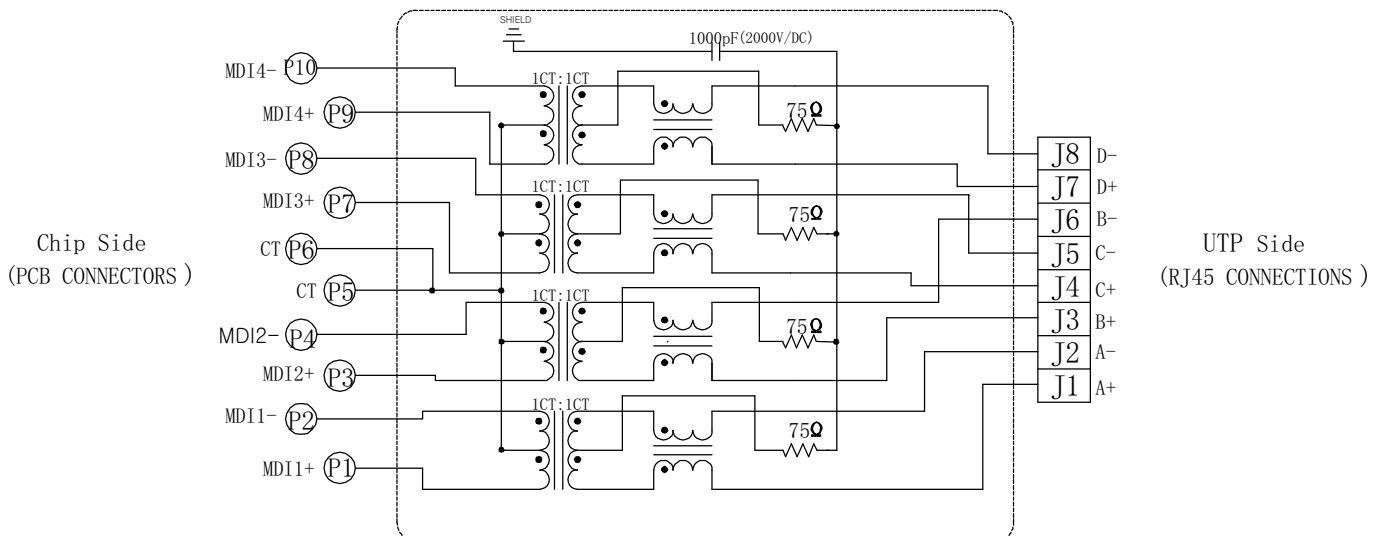


Single Port RJ45 Connector
With 100/1000 Base-T Magnetics Module

Electrical Specifications @25 °C/65%RH

1. Isolation Voltage: 1500V/AC(Chip Side to UTP Side)
2. OCL:350uH Minimum @100KHz 100mV with 8mA DC
3. Insertion Loss: -1.1dB Maximum @100KHz-100MHz
4. Return Loss:
 - 18dB Minimum @1MHz-30MHz
 - 14dB Minimum @30MHz-60MHz
 - 12dB Minimum @60MHz-80MHz
 - 10dB Minimum @80MHz-100MHz
5. Common Mode Rejection:
 - 40dB Minimum @1MHz-30MHz
 - 35dB Minimum @30MHz-60MHz
 - 30dB Minimum @60MHz-100MHz
6. Cross Talk:
 - 40dB Minimum @1MHz-30MHz
 - 35dB Minimum @30MHz-60MHz
 - 30dB Minimum @60MHz-80MHz

Schematics:

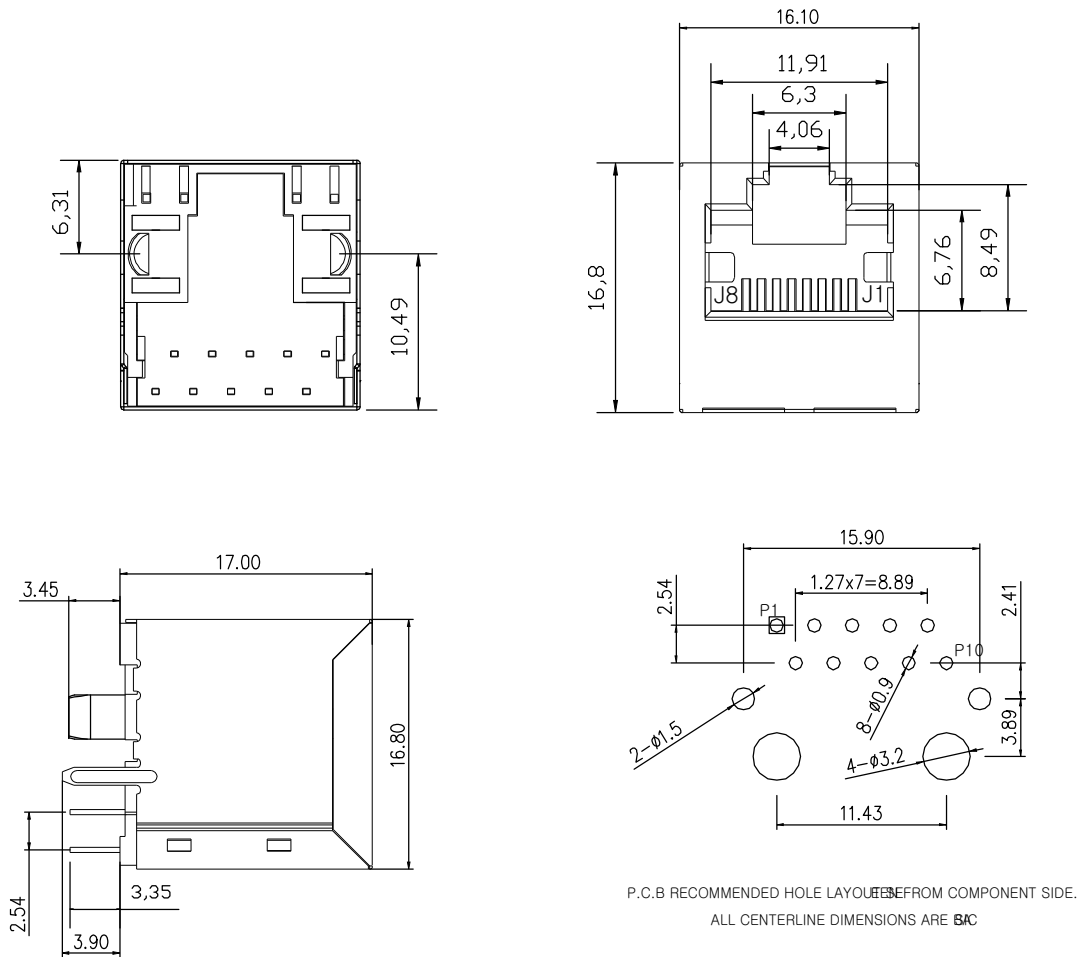


Single Port RJ45 Connector
With 100/1000 Base-T Magnetics Module

Coorle 库乐科技

- ROHS Compliant (Pb Free)
- Meets or exceeds IEEE802.3 Standards including 350uH Min OCL with 8mADC
- High performance for EMI suppression, Crosstalk, Return Loss and Consistent Electrical
- Minimum 1500Vrms isolation per IEEE802.3 requirement
- Minimize PCB space and Simplify PCB Layout
- Less magnetic components to be placed on PCB, higher reliability and yields

Mechanical Dimensions:



Dimensions in mm

Unless otherwise specified, Tolerance: ± 0.25

1. Connector Material:

Housing: Thermoplastic UL94 V-0

Contact/Shield: Cooper alloy

Shield Plating: Nickel

Contact Plating: Selective gold 6u" Min

2. Tolerances comply with F.C.C dimension requirements

3. Durability: 800 mating Min